

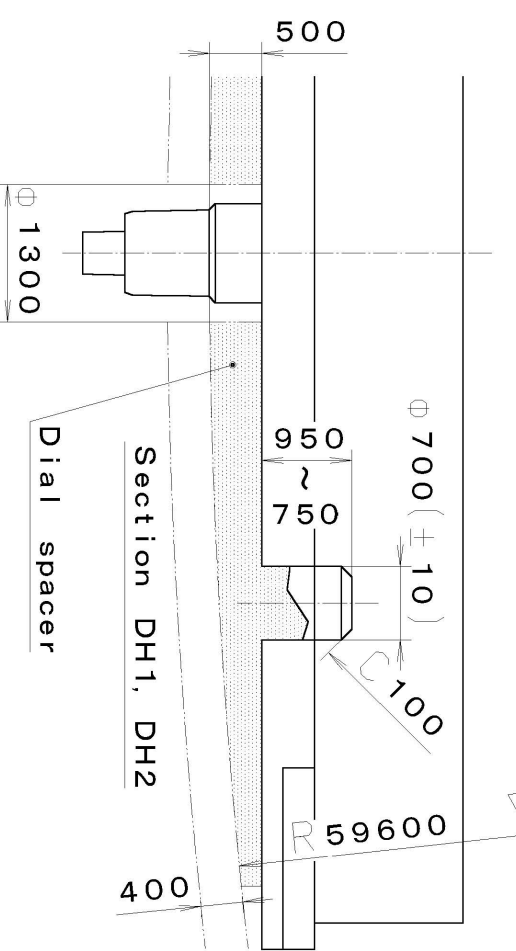
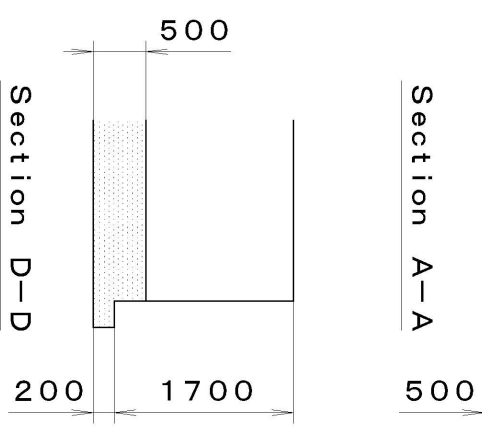
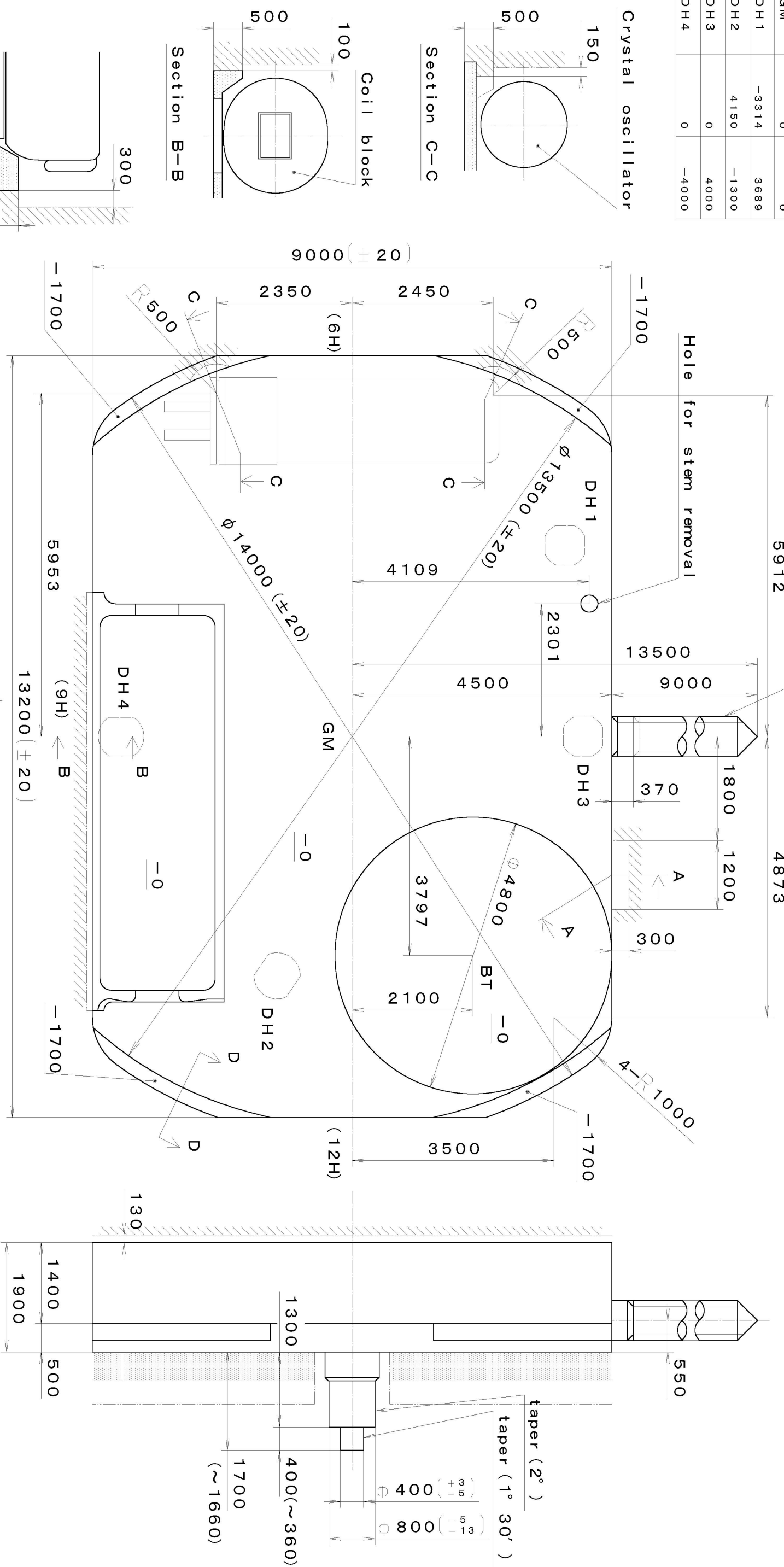
Coordinates		X	Y
Mark			
GM	0	0	0
DH1	-3314	3689	
DH2	4150	-1300	
DH3	0	4000	
DH4	0	-4000	

DH1~DH2=8978 (±20)
DH3~DH4=8000 (±20)

5912 SO. 7 (3H) ST

4873

ST



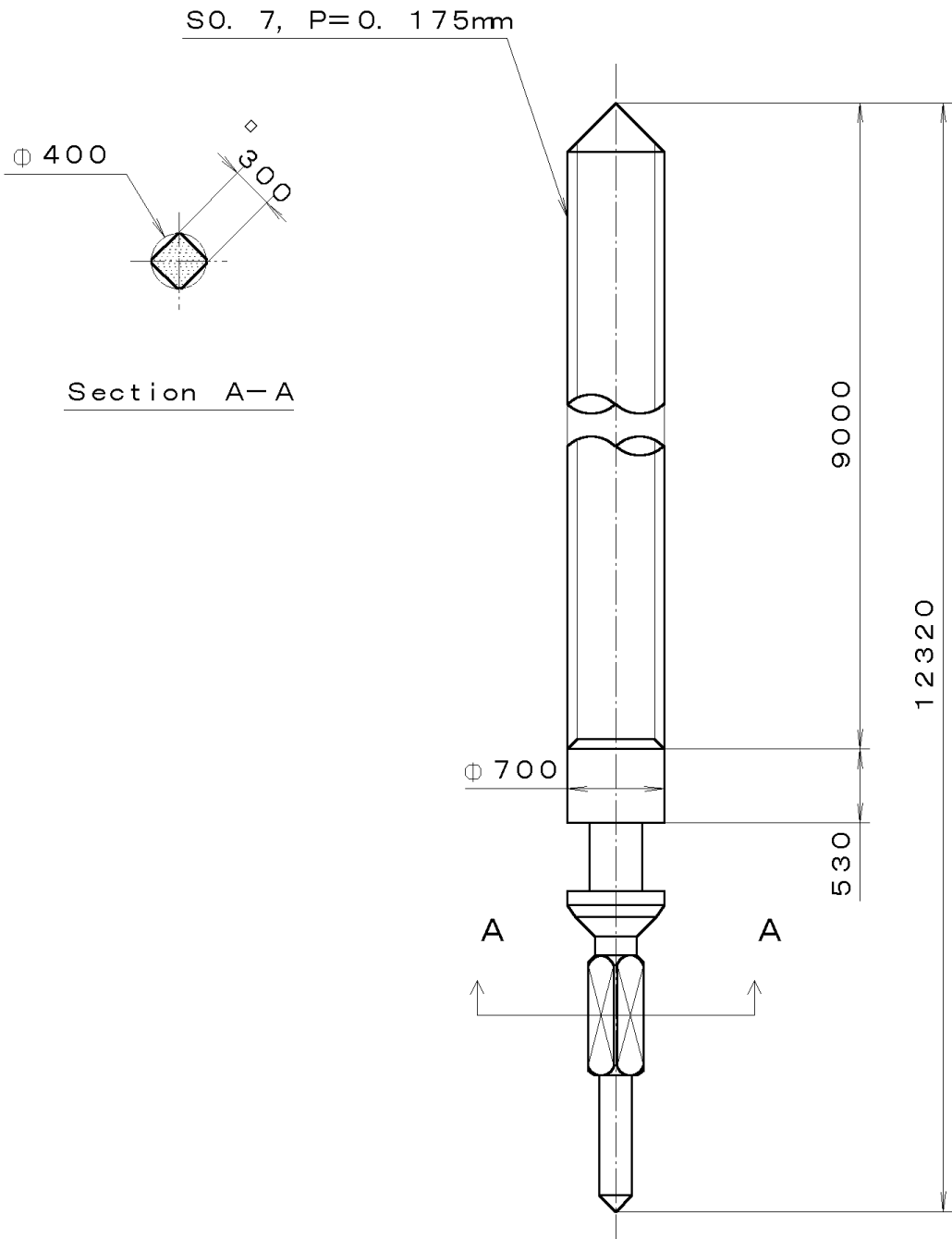
Quantity	Unit	Scale	Date	Drawn	Checked	Approved	Material	Heat Treatment	Hardness	Plating	General Tolerances	Dimensions	Angles
1	1/1000 mm	14:1			T. Hiruta								

Call. No.: 5R22
Parts: Frame for Case
Name: Frame for Case
Drawing No.: 5R22C000

MIYOTA

This drawing is provisional and subject to our reconfirmation and/or revision without notice.

*** T I P W (01) *** (2100 1121) 00-06-22



7			Quantity		Cal. No. :
6			Unit	1/1000 mm	Parts:
5			Scale	20:1	
4			Date		065-413
3			Drawn		
2			Checked	T. Hiruta	Name:
1			Approved		SETTING STEM
Material					Drawing No. : 4130S000
Heat Treatment			General Tolerances		
Hardness			Dimensions		
Plating			Angles		